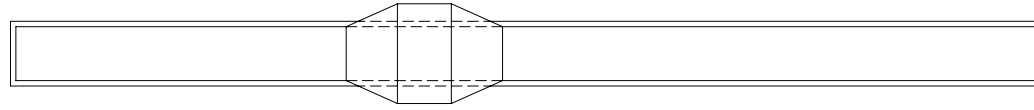
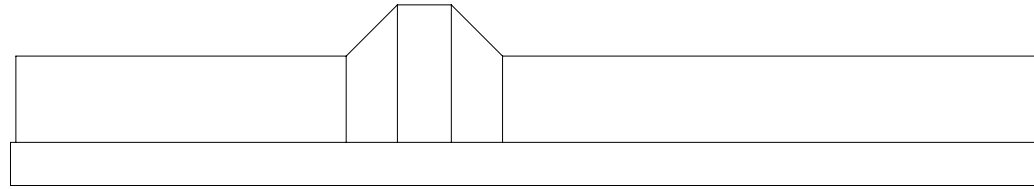


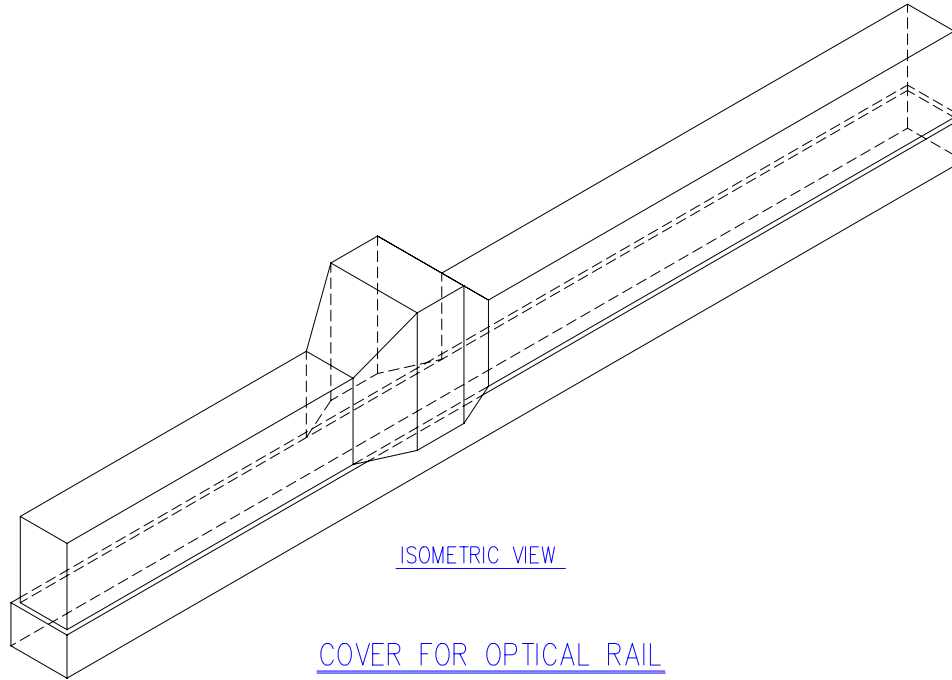
END VIEW



TOP VIEW



SIDE VIEW



ISOMETRIC VIEW

COVER FOR OPTICAL RAIL

SCALE: 1 1/2" = 1'-0"