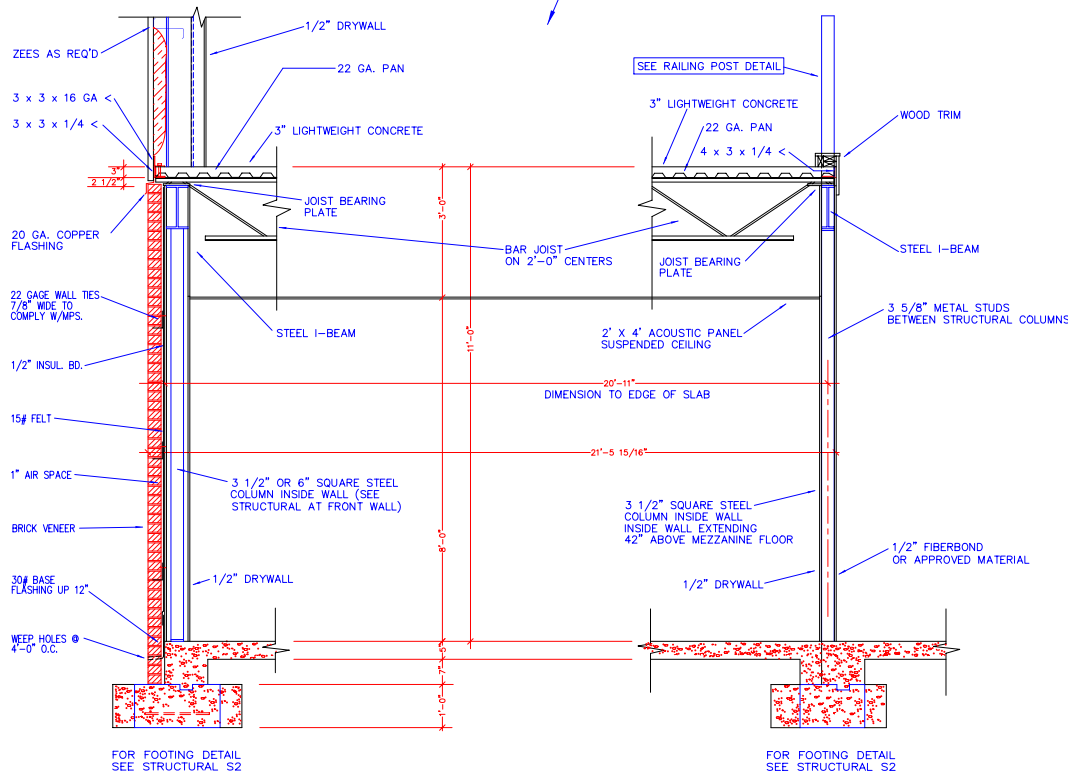
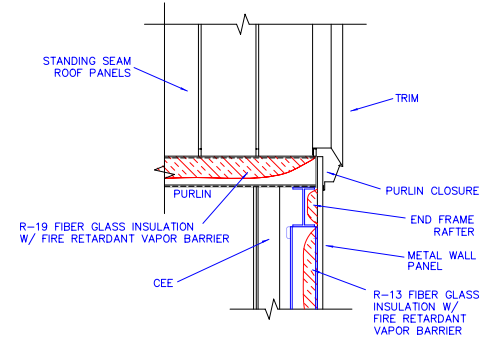
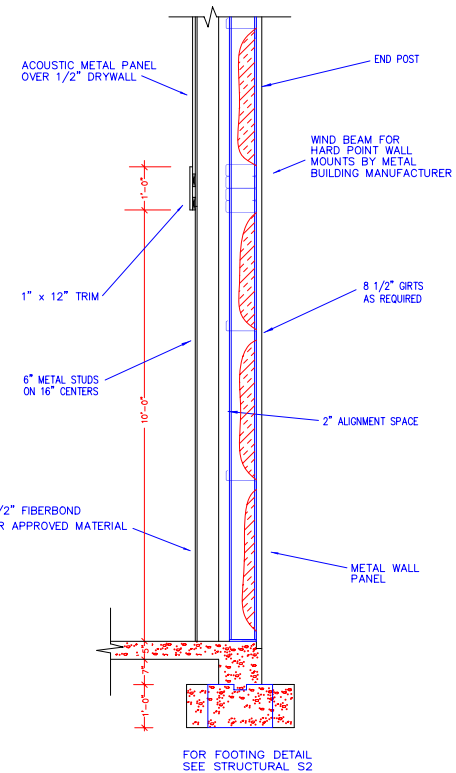


NOTE
 THE ENTIRE MEZZANINE & DECK STRUCTURE SHALL BE DESIGNED TO SUPPORT 150 LBS/SF DEAD LOAD & LIVE LOAD. THE METAL BUILDING FABRICATOR SHALL REINFORCE THE CORNER POST & THE END POST TO MEET OR EXCEED THIS CRITERION.



SECTION "C1" (OFFICE-MEZZANINE AREA LOOKING WEST)
 SCALE: 3/4" = 1' - 0"



SECTION "C2" (NORTH WALL LOOKING WEST)
 SCALE: 3/4" = 1' - 0"

NO.	DESCRIPTION

PHILIP KANTOR ASSOCIATES, INC.
 Designers • Planners • Engineers
 5861 SHADY BLEN ROAD • 801/885-5415 OR 731-484-1111 • MEMPHIS, TN 38117
 SCALE: 3/4" = 1'-0"
 DRAWN BY: LEM
 CHECKED BY: PK
 DATE: 10/2/98
 DRAWING FILE NAME: A13-BBC.dwg

**BRUNSWICK BAPTIST CHURCH
 FAMILY LIFE CENTER**
 BRUNSWICK, TENNESSEE



SHEET NUMBER:

A13

DESCRIPTION:
 E:\VUTOD\WG\BCHURCH\NEW
 A13-BBC.dwg
 SECTIONS "C1 & C2"

